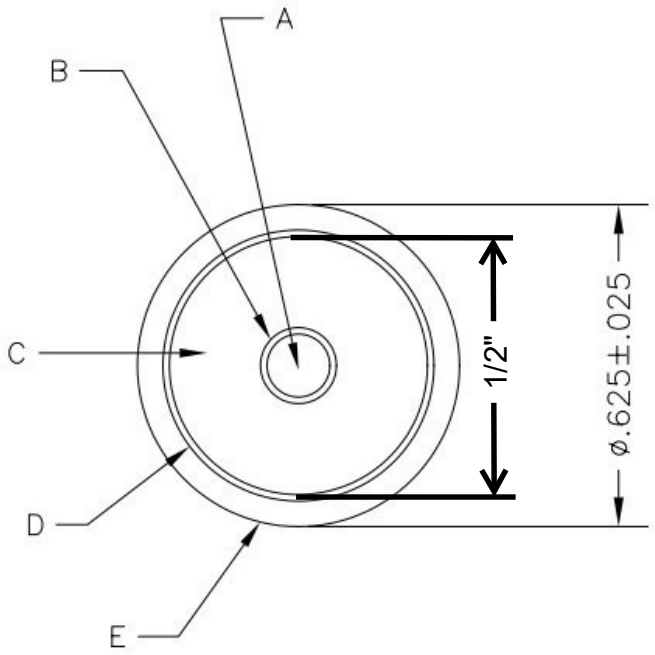


VOLTAGE: 0 TO 125KV  
 CURRENT: 2.3 MILLIAMPS


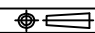


LEGEND

- A. #12 AWG (19/25) T.C.
- B. SEMICON POLYETHYLENE
- C. LDHMMW POLYETHYLENE: NATURAL
- D. BRAIDED SHIELD,
- E. JACKET: PVC: BLACK

Sold in INCHES (300" typical)

\*Cable Only - See Part Number 13D0030 for HV Cable Assembly.

REVISIONS	STANDARD TOLERANCES UNLESS OTHERWISE SPECIFIED		DIMENSIONS INCH [MM]		 Sussex, Wisconsin (262) 691-0400	
	DECIMAL DIMENSIONS:		CHECKED BY	PROJECT ENG.		TITLE
	ONE PLACE	±.10"	±2.5mm	SF	-	HIGH VOLTAGE CABLE
	TWO PLACE	±.02"	±0.5 mm	DRAWN BY	DATE	
THREE PLACE	±.004"	±0.10 mm	SJA	05/19/05	SCALE: 1 : 1	
ANGLE	±1/2"	±1/2	REFERENCE NO.	-	DWG NO. 6000-0079	
CONFIDENTIAL THIS DRAWING AND THE INFORMATION CONTAINED HEREIN ARE CONFIDENTIAL AND THE EXCLUSIVE PROPERTY OF GENCOAT INC. REPRODUCTION/COPYING OR DISCLOSURE OF THIS DRAWING TO OTHERS WITHOUT GENCOAT'S WRITTEN PERMISSION IS PROHIBITED. THIS DRAWING AND ANY COPIES THEREOF, SHALL IMMEDIATELY BE RETURNED TO GENCOAT UPON REQUEST BY GENCOAT. IN FURNISHING THIS DRAWING, GENCOAT GRANTS NO RIGHTS OR LICENSES NOR MAKES ANY REPRESENTATIONS OR WARRANTIES REGARDING THIS DRAWING OR THE ACCOMPANYING INFORMATION. THE CONTENTS OF THESE DRAWINGS MAY BE PROTECTED BY UNITED STATES AND/OR FOREIGN COPYRIGHTS OR PATENTS.			ORG. WORK ORDER NO.	-		
			 3RD ANGLE PROJECTION		SHEET: 1 OF 1	

REV	DESCRIPTION	DATE	APPROVED